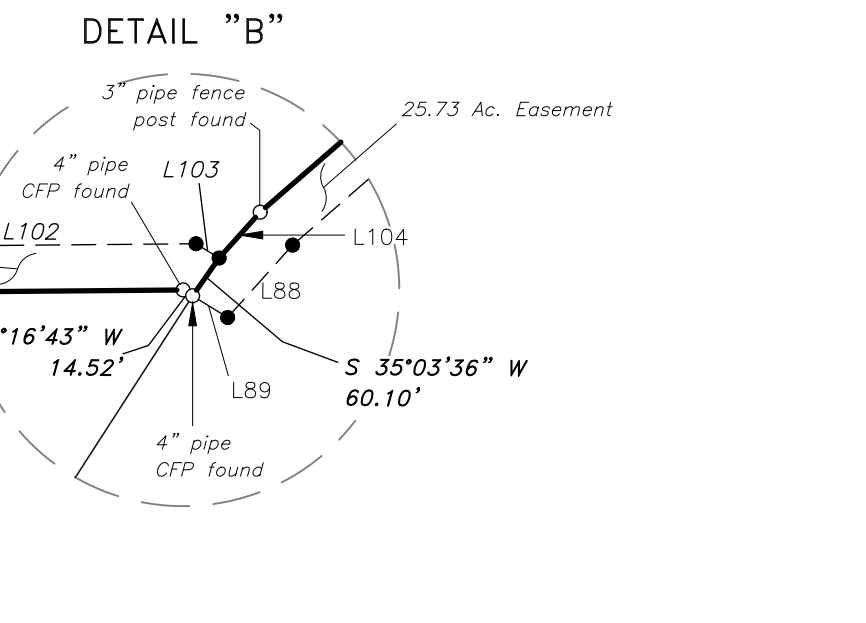
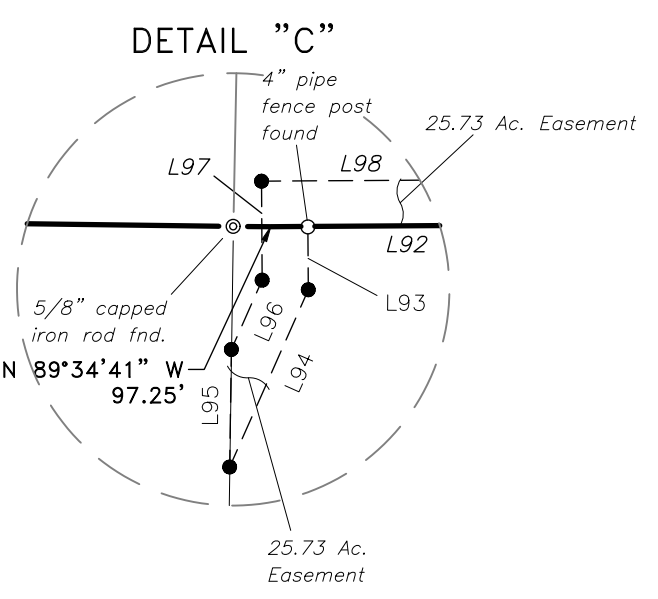
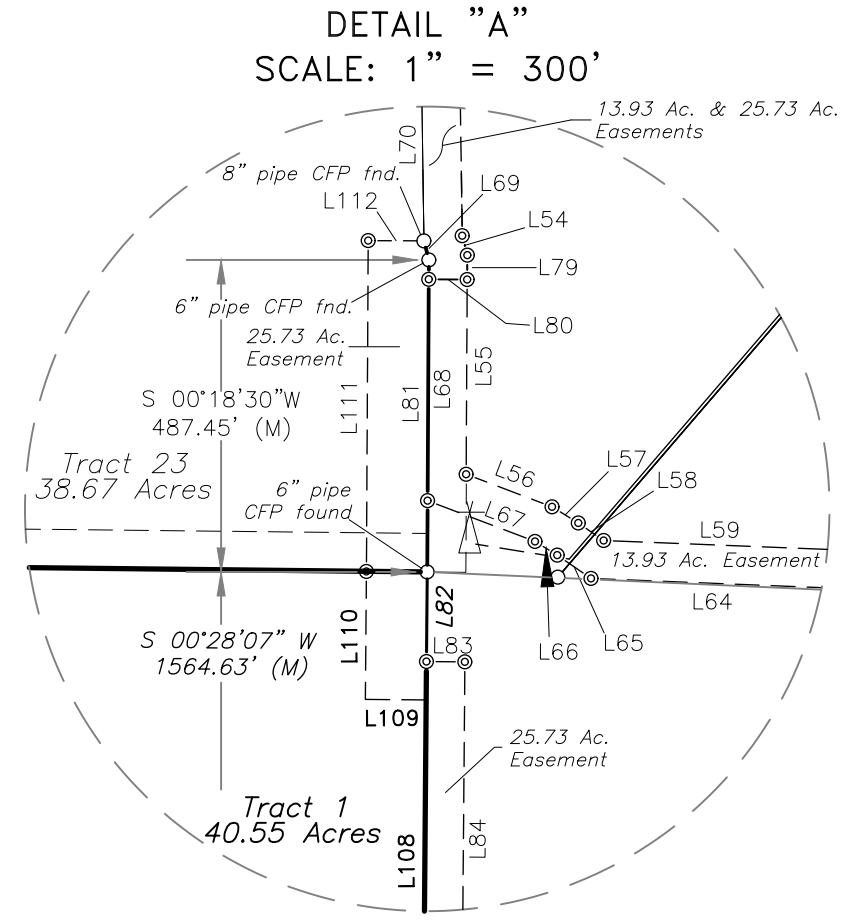
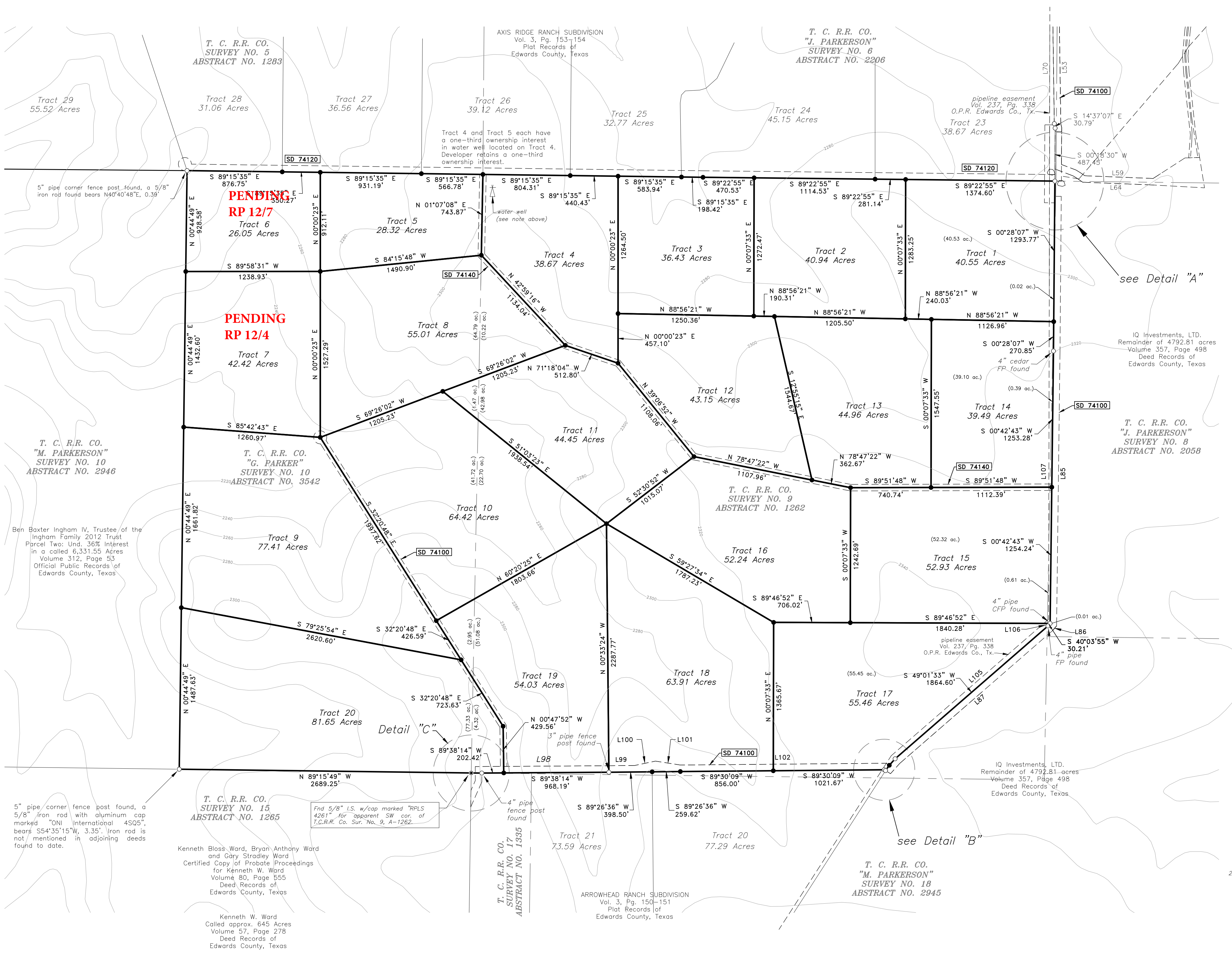


FINAL PLAT OF

Blackbuck Ridge Ranch Subdivision



LINE TABLE FOR ACCESS EASEMENTS table with columns for line number, bearing, distance, and area.

I, Jason McMillan, Registered Professional Land Surveyor of Texas, do hereby state that this plat represents an actual survey made under my direction to the best of my knowledge and ability, this the 22 day of October, 2018.



Registered Prof. Land Surveyor Texas Registration No. 6279

STATE OF TEXAS COUNTY OF EDWARDS I, the County Judge of Edwards County, Texas, hereby certify approval of this final plat of the Arrowhead Ranch Subdivision and any supporting documents and materials by the Commissioners' Court of Edwards County, Texas.

Reviewed & Approved on this the ___ day of _____, 2018

Sauli A. Shanklin EDWARDS COUNTY JUDGE

Basis of Bearings

Being derived from GPS observations in the Texas State Plane Coordinate System, NAD 1983 South Central Zone, made on February 21st, 2017.

Surveyor's Note : All distances are ground distances in U.S. Survey Feet. To compute to grid values multiply by the combined scale factor of 0.99984799 as derived from Opus Observations made on February 21st, 2017.

Surveyor's Note : Original Survey lines and/or corners shown hereon are approximate, unless otherwise noted. Any acreages shown for the original survey's are also approximate and should not be relied upon as officially approved quantities. A diligent search was made for original corners if they fell along the bounds of this property or within the property, and those found have been shown hereon. A precise locative survey of the original survey lines and corners is a time consuming project, not within the scope of this survey, and are subject to approval by the General Land Office of Texas. The possibility of excess acreage within the original survey's shown hereon is not addressed by this survey.

Surveyor's Note : This plat represents a boundary survey only. Some easements and utilities have been shown, but there may be others recorded or unrecorded that may exist. Always use the Texas One Call System or www.texas811.org, before performing any excavations. Record information (shown in green) for adjoining land owners shown hereon is for visual information purposes only.

Note : SD XXXXX - Denotes Subdivision Road Name per 9-1-1 requirements.

- LEGEND
O PIPE FENCE POST FOUND
1/2" IRON ROD FOUND
8" MAG NAIL SET
1/2" IRON ROD CAPPED STAMPED 'MQI'
SUBJECT TRACT LINE
SURVEY LINES
EASEMENT/RIGHT OF WAY
WIRE FENCE
OVERHEAD POWER LINE

